

# AMRAD MEDICAL



## AAU and AAU Plus

[www.AmRadMedical.com](http://www.AmRadMedical.com)

## AAU Plus

- Improves Productivity and Patient Throughput
- Hospitals, Orthopedics, Outpatient and Imaging Centers
- Available with 40kW – 80kW Generators
- DR and CR Solutions
- World Wide Recognition

500 lb patient capacity mobile table allows for cross-table imaging and recumbent views

Precise alignment between the tube and image receptor eliminates alignment errors

Variable SID of 40 inches to 72 inches allows all standard exams to be performed



Fully motorized with up to 20 pre-programmed anatomical views, makes for fast one-touch positioning



## AAU

Fully motorized for easy manual movement of structure, the AAU offers the same features as the more sophisticated AAU Plus without the auto-positioning feature. Designed to meet the demands of low to mid volume facilities.

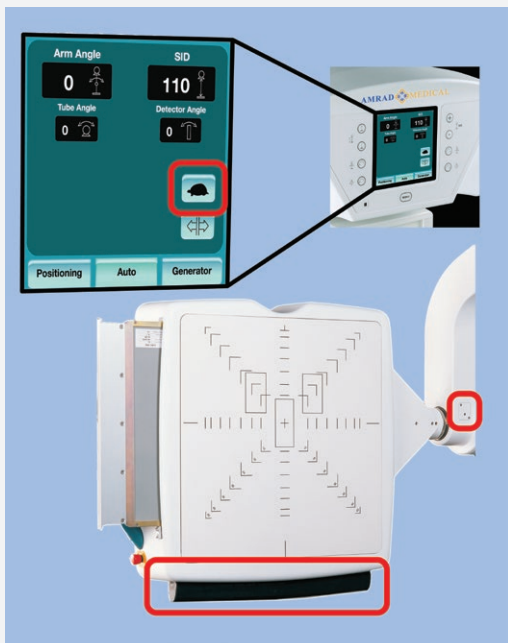
# Features of AAU Plus

## Standard Integrated Generator Display

- View exam selection
- View anatomical positioning of structure for selected exam
- Fine tune previously selected technique
- Auto-position the structure to prepare for exam
  - » Constant-pressure switch safety feature requires the Technologist to maintain contact with the MOVE button to prevent injury to patient and damage to AAU Plus
- When configured with AmRad Advantage DR, the Worklist feature selects the position of the AAU Plus

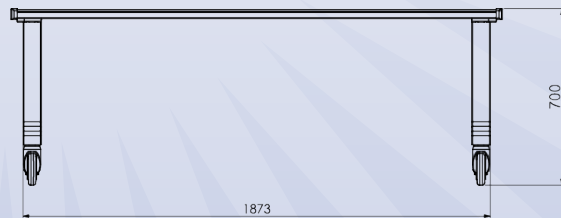
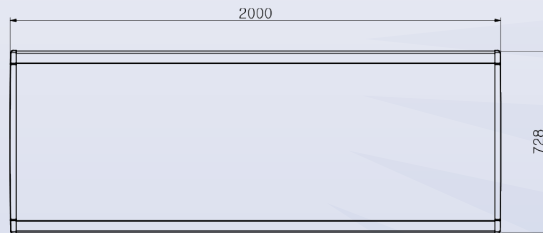
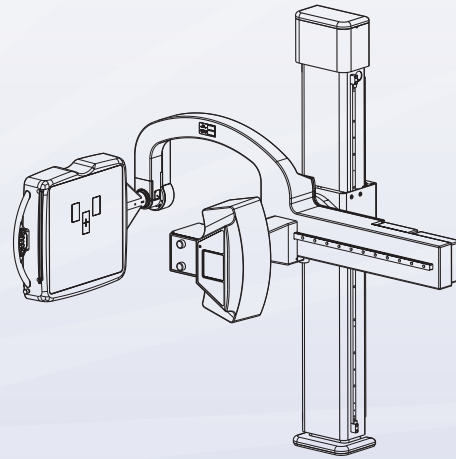
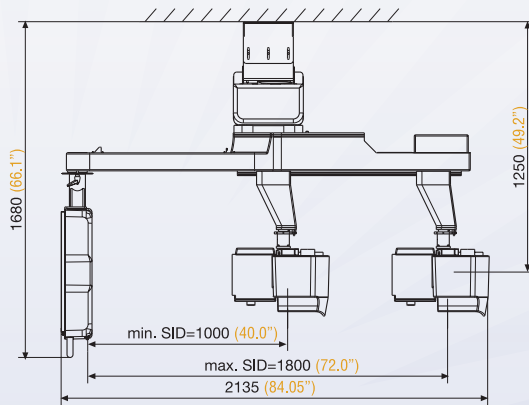
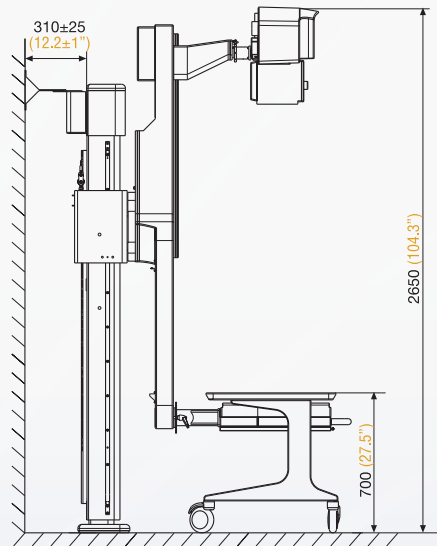
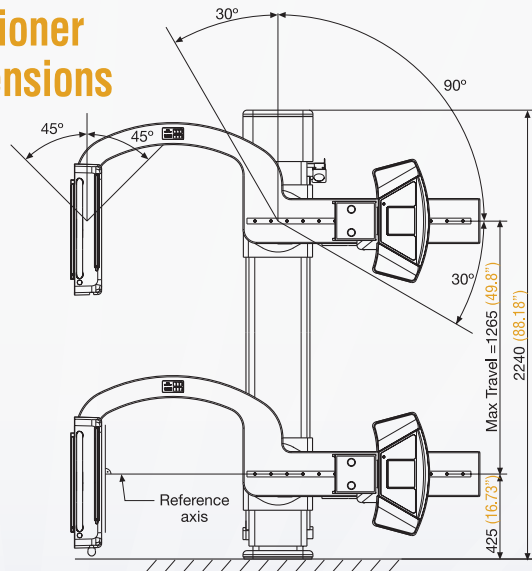


## Triple Anti-Collision Protection



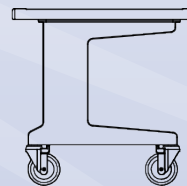
- Selectable dual speed movement controls pace and movement with and without patients present
- Collision sensors protect and keep patient safety a priority
- Receptor bumper detection stops movement once resistance is detected

# Positioner Dimensions



## Mechanical Specifications

- Patient Weight: 500 lb
- Dimensions : 79.75 X 28.66 X 27.5 in



SAI GLOBAL  
ISO 9001  
Quality

Call 1-800-729-9729 for additional information.



2901 W. Lawrence Avenue  
Chicago, IL 60625 USA

Phone: 773-353-4000  
Fax: 773-588-3424  
Toll Free: 1-800-729-9729

AMRAD MEDICAL

www.AmRadMedical.com